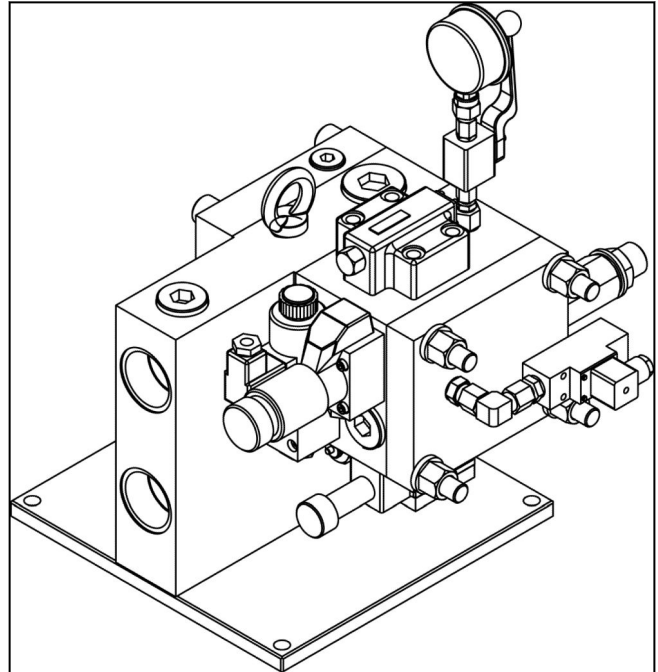


Product Information

Hydraulic distribution unit

CTA: 94739 94740



Range of application

Hydraulic distribution units act as an interface between a constant hydraulic supply and individual hydraulic consumers, servo-hydraulic testing actuators and testing machines. Reliable, accurate monitoring of pressure and flow is essential, as is controlled distribution to the various consumers.

Construction

The hydraulic distribution unit consists of a distribution column and, depending on the version, several switching manifolds.

The distribution column acts as a connecting and mounting unit on which the manifolds are mounted. Hydraulic pressurized oil, return oil and leakage oil lines are connected directly to the distribution column, as are the accumulators.

Advantages and features

- specifically designed for the exacting demands of hydraulic servo controllers
- three different pressure settings:
 - Off: pressure and return oil lines both disconnected from the hydraulic supply
 - Setup mode: reduced output mode in which pressure and flow-rate are controlled
 - Testing mode: full system-pressure and flow volume

- controlled soft start enables monitored constant pressure-rise for the servo-hydraulic testing system; units feature user-definable pressure-increase times:
 - 0 → L: gradual pressure increase from Off to Low
 - L → H: gradual pressure increase from Low to High
- pilot-operated check-valves ensure device is switched off in the event of hose failure or sudden pressure-drop
- manifolds provided with manometer
- modular construction allows expansion of system at a later date.

Product Information

Hydraulic distribution unit

Technical data

Distribution columns/nominal flow ¹⁾	250	250	500	500	500	l/min
Max. number of switching manifolds ¹⁾	4	2	8	4	2	
Nominal flow-rate of switching manifold	65	125	65	125	250	l/min
System pressure	210 to 280	210 to 280	210 to 280	210 to 280	210 to 280	bar
Low pressure-rate and flow-rate monitoring						
pressure range	1 to 10	1 to 10	1 to 10	1 to 10	1 to 10	bar
flow range	2 to 25	2 to 25	2 to 25	2 to 25	2 to 25	l/min
Control voltage	24	24	24	24	24	V DC
Power consumption, max.	2.6	2.6	2.6	2.6	2.6	A DC
Hose connections (distribution columns):						
P (high pressure) – 1x	G 1½	G 1½	G 2	G 2	G 2	BSP P
R (return oil) - 1x	G 1½	G 1½	G 2	G 2	G 2	BSP P
L (leakage oil) - 1x	G ¾"	G ¾"	G ¾"	G ¾"	G ¾"	BSP P
Hose connections (switching manifold):						
P (high pressure) – 1x	G ¾"	G 1	G ¾"	G 1	G 1½	BSP P
R (return oil) - 1x	G ¾"	G 1	G ¾"	G 1	G 1½	BSP P
L (leakage oil) - 1x	G 1½	G 1½	G 1½	G 1½	G 1½	BSP P

1) An order item comprises the distribution column plus the required number of switching manifolds.

Accessories on application

- Accumulators:
provide the hydraulic energy required to ensure peak flow-rate demands.
- Filters:
options for additional protection for the hydraulic testing system against contamination.
- Hydraulic hose sets:
for optimum, customized connection to consumers, in various lengths and nominal flow-rates.